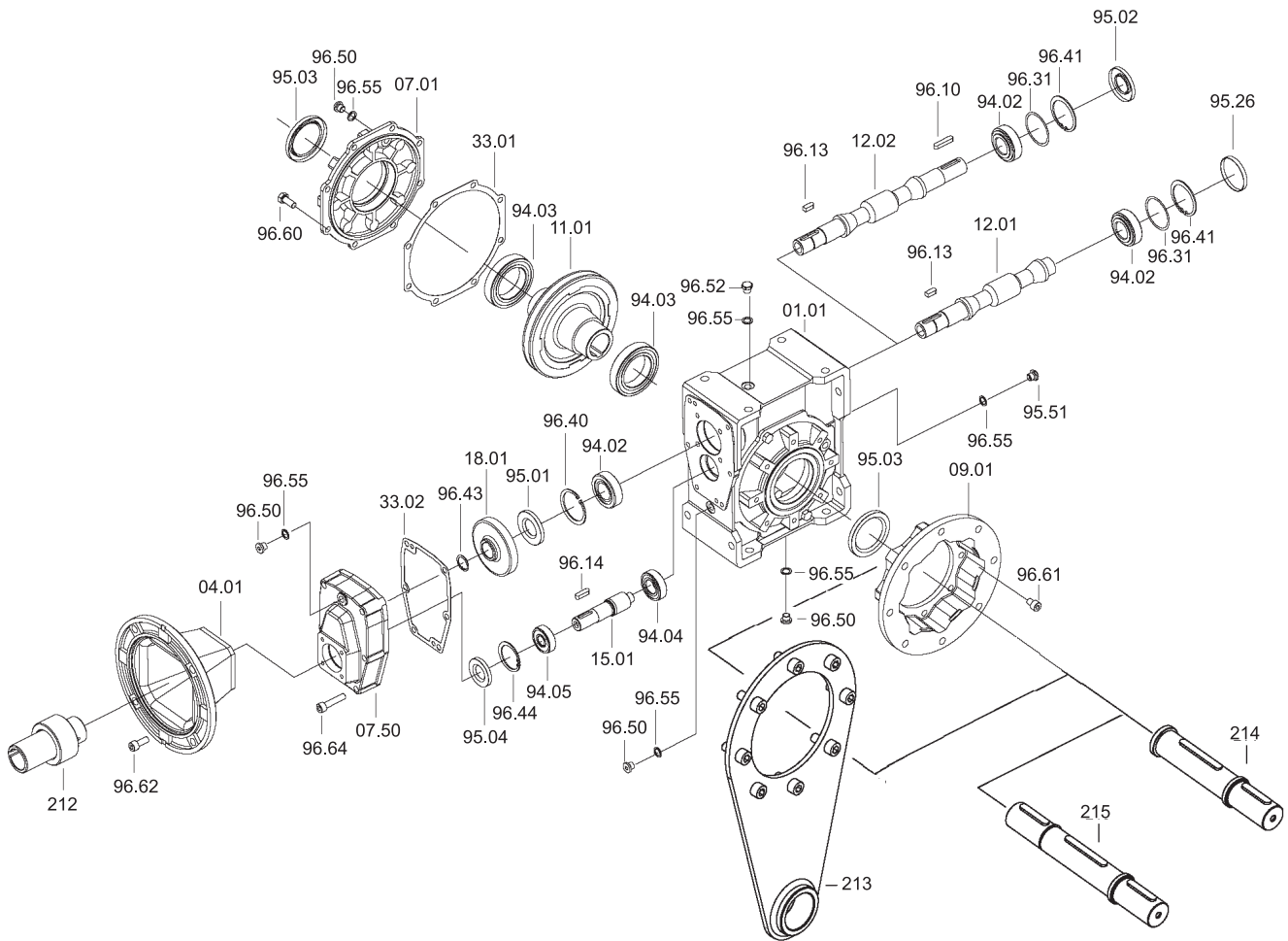


HA - HF



H	Cuscinetti / Bearings / Lager				Anelli di tenuta / Oilseals Öldichtungen				Cappellotto / Closed oil seal Geschlossene Öldichtung
	94.02	94.03	94.04	94.05	95.01	95.02	95.03	95.04	95.26
40	6201	6006	6000	6000	12/32/7	12/32/7	30/47/7	10/26/7	∅ 32x7
	12x32x10	30x55x13	10x26x8	10x26x8					
50	6203	6008	6200	6201	17/40/7	17/40/7	40/62/8	12/32/7	∅ 40x7
	17x40x12	40x68x15	10x30x9	12x32x10					
63	30204	6008	6201	6203	20/47/7	20/47/7	40/62/8	17/40/7	∅ 47x7
	20x47x15.25	40x68x15	12x32x10	17x40x12					
75	30205	6010	6202	6204	25/52/7	25/52/7	50/72/8	20/47/7	∅ 52x7
	25x52x16.25	50x80x16	15x35x11	20x47x14					
90	32205	6010	6202	6204	25/52/7	25/52/7	50/72/8	20/47/7	∅ 52x7
	25x52x19.25	50x80x16	15x35x11	20x47x14					
110	32206B	6012	6303	6205	30/62/7	30/62/7	60/85/8	25/52/7	∅ 62x7
	30x62x21.25	60x95x18	17x47x14	25x52x15					
130	33208	6015	6304	6305	40/80/10	40/80/10	75/100/10	25/62/8	∅ 80x10
	40x80x32	75x115x20	20x52x15	25x62x17					