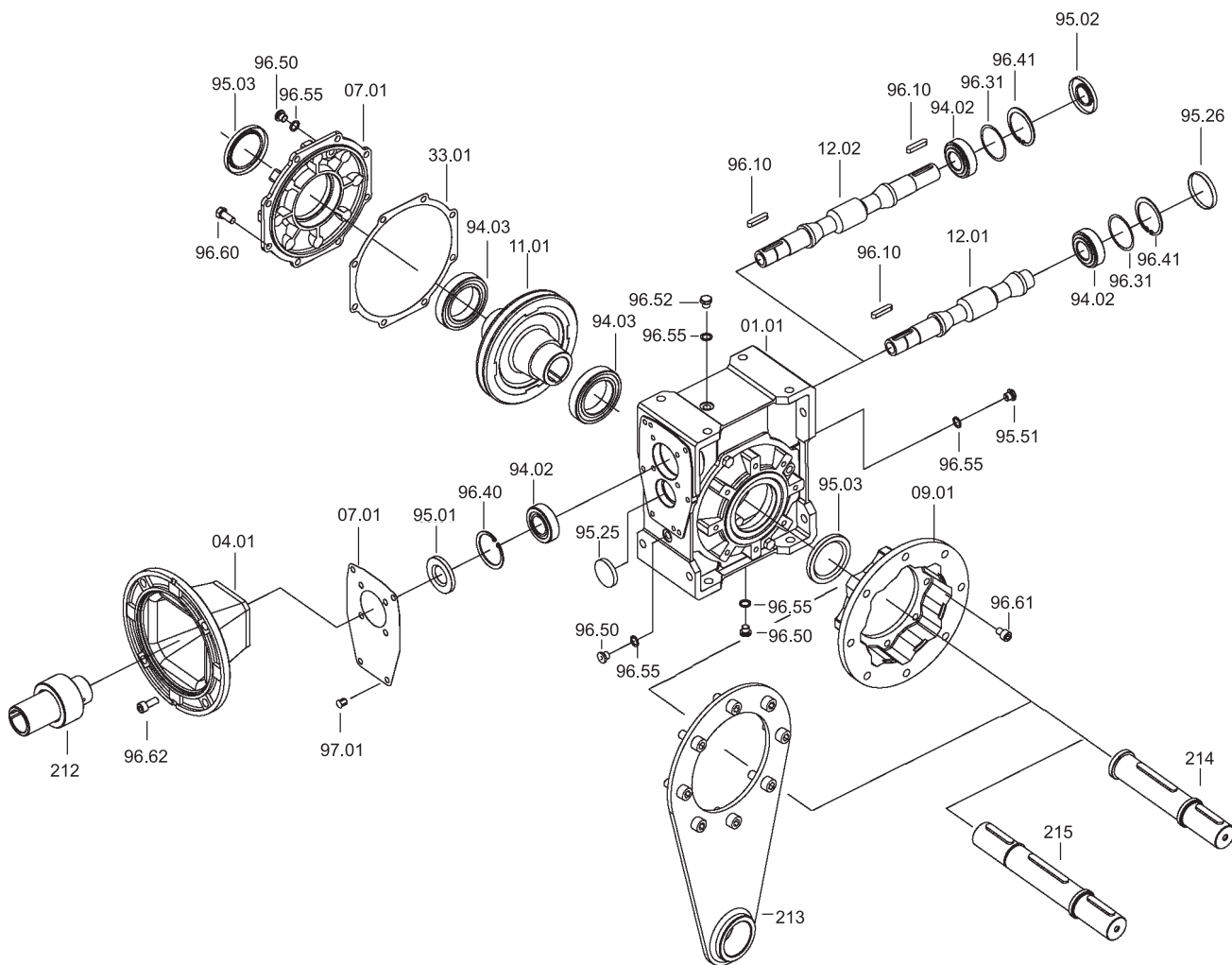
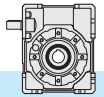




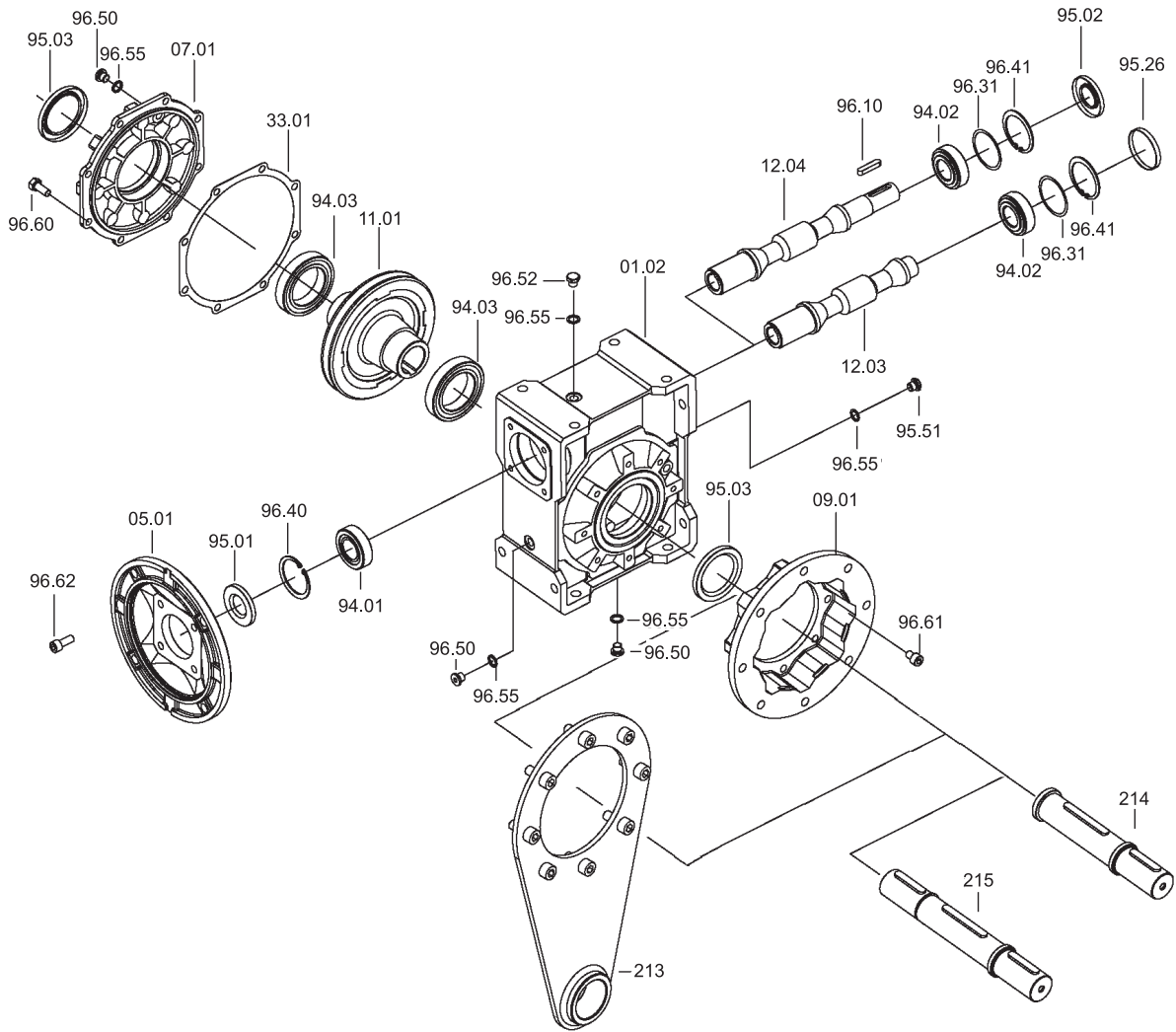
XA - XF



X	Cuscinetti / Bearings / Lager		Anelli di tenuta / Oilseals Öldichtungen			Cappellotto / Closed oil seal Geschlossene Öldichtung	
	94.02	94.03	95.01	95.02	95.03	95.25	95.26
30	6000 10x26x8	6005 25x47x12	10/26/5.5	10/26/7	25/40/7	—	∅ 6x7
40	6201 12x32x10	6006 30x55x13	12/32/7	12/32/7	30/47/7	—	∅ 32x7
50	6203 17x40x12	6008 40x68x15	17/40/7	17/40/7	40/62/8	—	∅ 40x7
63	30204 20x47x15.25	6008 40x68x15	20/47/7	20/47/7	40/62/8	—	∅ 47x7
75	30205 25x52x16.25	6010 50x80x16	25/52/7	25/52/7	50/72/8	—	∅ 52x7
90	32205 25x52x19.25	6010 50x80x16	25/52/7	25/52/7	50/72/8	∅ 35x5	∅ 52x7
110	32206B 30x62x21.25	6012 60x95x18	30/62/7	30/62/7	60/85/8	∅ 47x7	∅ 62x7
130	33208 40x80x32	6015 75x115x20	40/80/10	40/80/10	75/100/10	∅ 52x7	∅ 80x10



XC



X	IEC	Cuscinetti / Bearings / Lager			Anelli di tenuta / Oilseals Öldichtungen			Cappello / Closed oil seal Geschlossene Öldichtung
		94.01	94.02	94.03	95.01	95.02	95.03	95.26
30	56	61804 (20x32x7)	6000 10x26x8	6005 25x47x12	20/32/7	10/26/7	25/40/7	ø 26x7
	63	61804 (20x32x7)			20/32/7			
40	56	6303 (17x47x14)	6201 12x32x10	6006 30x55x13	17/47/7	12/32/7	30/47/7	ø 32x7
	63	6204 (20x47x14)			20/47/7			
	71	6005 (25x47x12)			25/47/7			
50	63	6204 (20x47x14)	6203 17x40x12	6008 40x68x15	20/47/7	17/40/7	40/62/8	ø 40x7
	71	6005 (25x47x12)			25/47/7			
	80	6006 (30x55x13)			30/55/7			
63	71	30305 (25x62x18.25)	30204 20x47x15.25	6008 40x68x15	25/62/7	20/47/7	40/62/8	ø 47x7
	80	30206 (30x62x17.25)			30/62/7			
	90	32007 (35x62x18)			35/62/7			
75	80	30206 (30x62x17.25)	30205 25x52x16.25	6010 50x80x16	30/62/7	25/52/7	50/72/8	ø 52x7
	90	32007 (35x62x18)			35/62/7			
	100/112	32008 (40x68x19)			40/68/10			
90	80	30206 (30x62x17.25)	32205B 25x52x19.25	6010 50x80x16	30/62/7	25/52/7	50/72/8	ø 52x7
	90	32007 (35x62x18)			35/62/7			
	100/112	32008 (40x68x19)			40/68/10			
110	90	30208 (40x80x19.75)	32206B 30x62x21.25	6012 60x95x18	40/80/10	30/62/7	60/85/8	ø 62x7
	100/112	30208 (40x80x19.75)			40/80/10			
	132	32010 (50x80x20)			50/80/10			
130	90	30208 (40x80x19.75)	33208 40x80x32	6015 75x115x20	40/80/10	40/80/10	75/100/10	ø 80x10
	100/112	30208 (40x80x19.75)			40/80/10			
	132	32010 (50x80x20)			50/80/10			