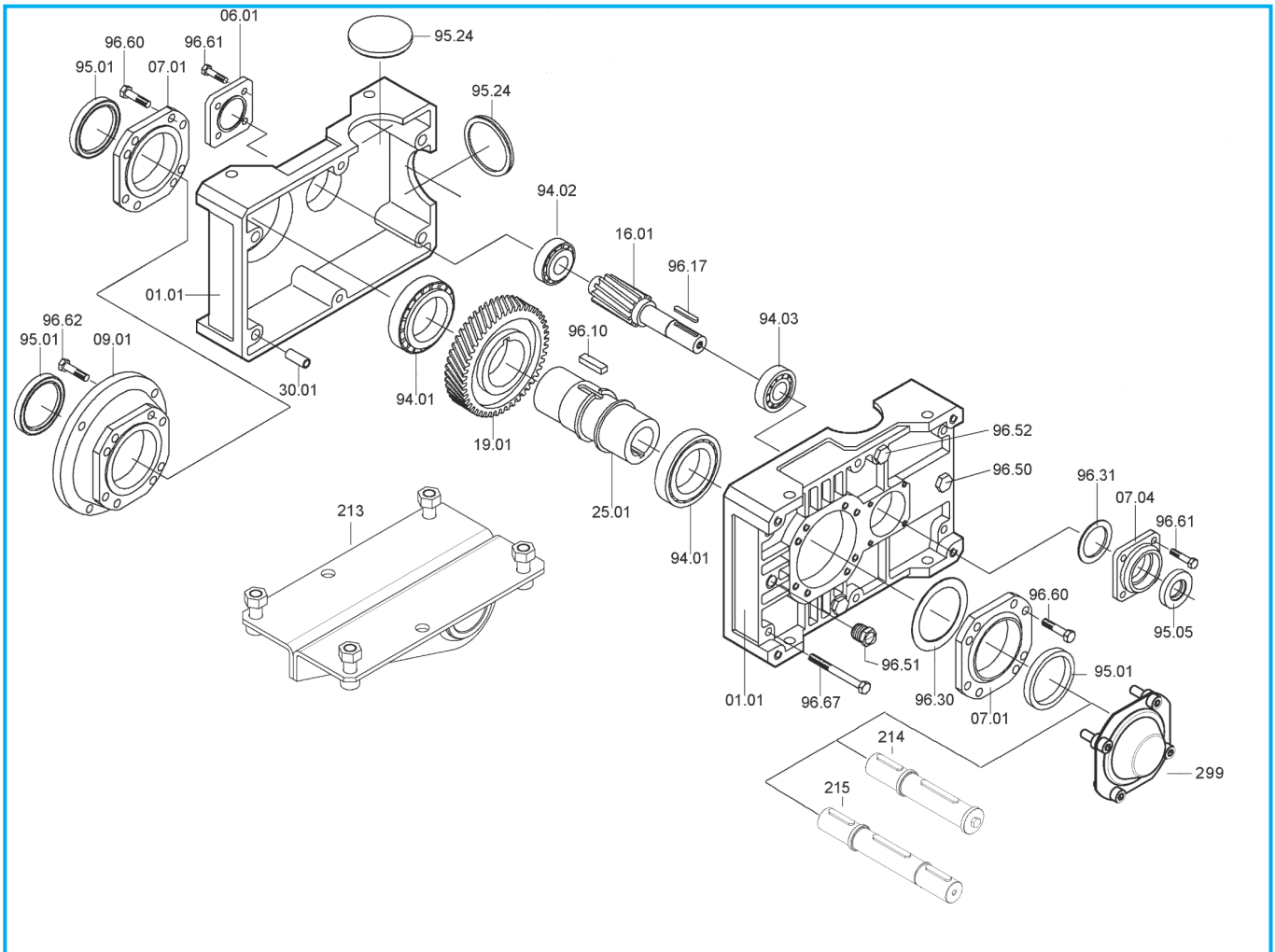
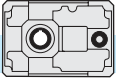


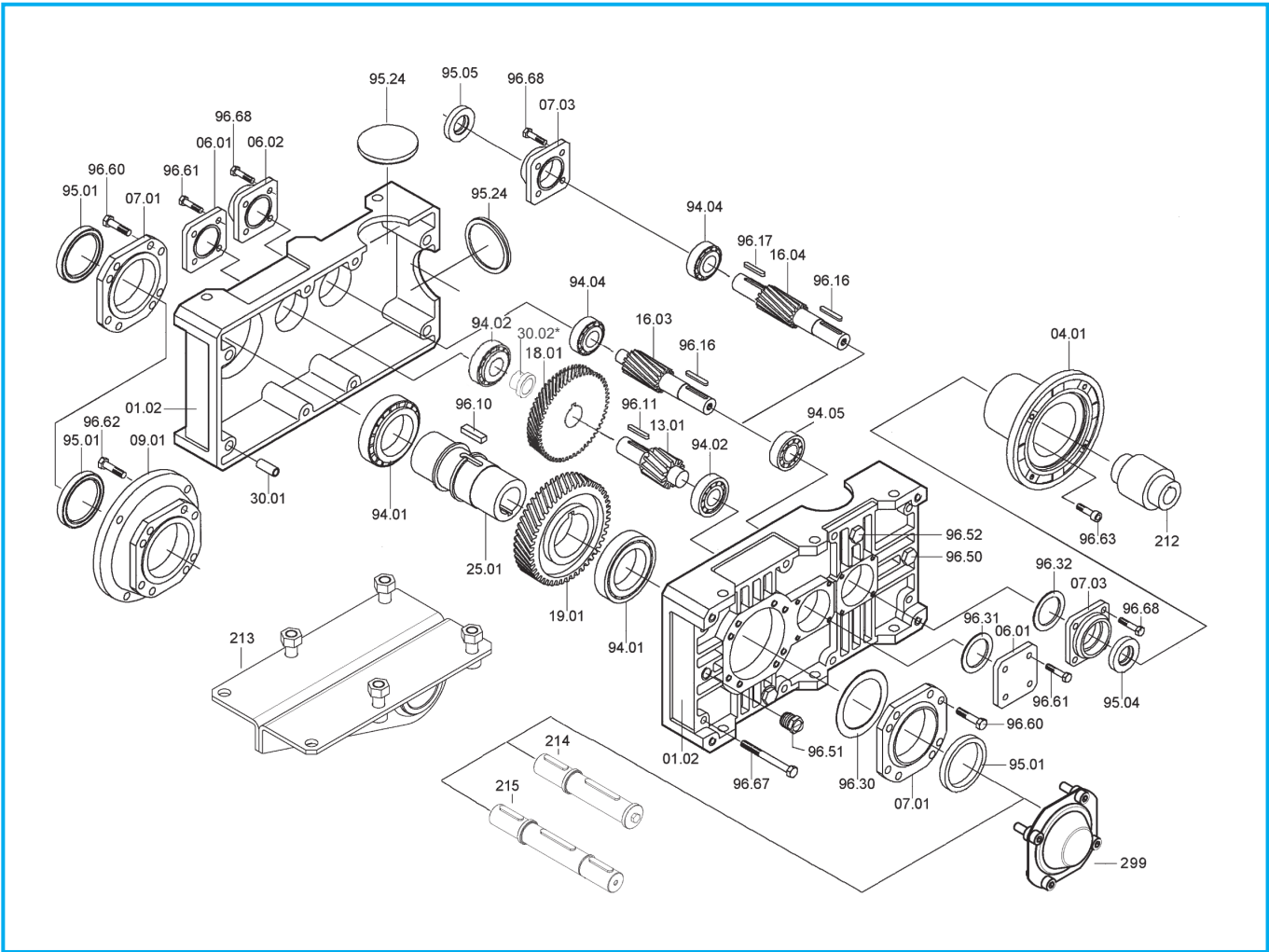
ZA..A



ZA	Cuscinetti / Bearings / Lager			Anelli di tenuta / Oilseals / Öldichtungen	
	94.01	94.02	94.03	95.01	95.05
71A	32008 40/68/19	30302 15/42/14.25	32004 20/42/15	40/56/8	20/35/7
90A	32010 50/80/20	30204 20/47/15.25	32005 25/47/15	50/65/8	25/47/7
112A	32012 60/95/23	30305 25/62/18.25	30206 30/62/17.25	60/80/10	30/52/7
140A	32015 75/115/25	32206 30/62/21.25	32008 40/68/19	75/95/10	40/56/8
180A	32019 95/145/32	32208 40/80/24.75	32010 50/80/20	95/125/12	50/65/8
225A	32026 130/200/45	31310 50/110/29.25	33113 65/110/34	130/160/12	65/80/10

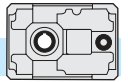


ZA..B - ZF..B

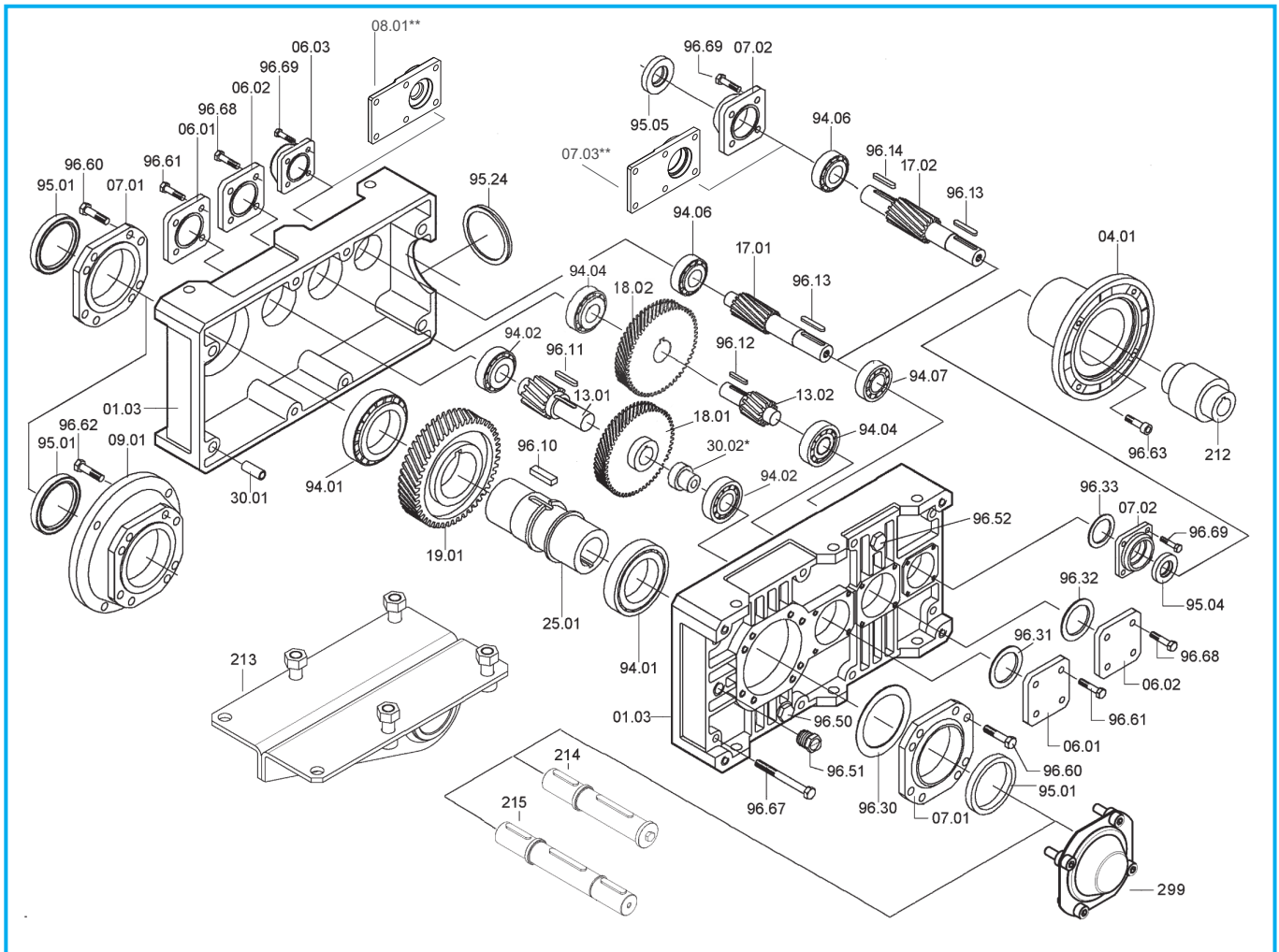


ZA - ZF	Cuscinetti / Bearings / Lager				Anelli di tenuta / Oilseals / Öldichtungen		
	94.01	94.02	94.04	94.05	95.01	95.04	95.05
80B	32010 50/80/20	30204 20/47/15.25	30302 15/42/14.25	32004 20/42/15	50/65/8	20/40/7	15/40/10
100B	32012 60/95/23	30305 25/62/18.25	30204 20/47/15.25	32005 25/47/15	60/80/10	25/47/7	20/47/7
125B	32015 75/115/25	32206 30/62/21.25	30305 25/62/18.25	30206 30/62/17.25	75/95/10	30/52/7	25/52/7
160B	32019 95/145/32	32207 35/72/24.25	32206 30/62/21.25	32008 40/68/19	95/125/12	40/56/8	30/56/10
180B	32024 120/180/38	31309 45/100/27.25	30307 35/80/22.75	32208 40/80/24.75	120/160/15	40/62/7	35/62/7
200B	32026 130/200/45	31310 50/110/29.25	32208 40/80/24.75	32010 50/80/20	130/160/12	50/65/8	40/65/10

*Solo per Z180B / Only for Z180B / Nur für Z180B



ZA..C - ZF..C



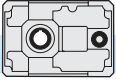
ZA - ZF	Cuscinetti / Bearings / Lager					Anelli di tenuta / Oilseals / Öldichtungen		
	94.01	94.02	94.04	94.06	94.07	95.01	95.04	95.05
80C	32010 50/80/20	30204 20/47/15.25	30302 15/42/14.25	3202 15/35/15.9	3202 15/35/15.9	50/65/8	15/30/7	15/30/7
100C	32012 60/95/23	30305 25/62/18.25	30204 20/47/15.25	30302 15/42/14.25	32004 20/42/15	60/80/10	20/40/7	15/40/10
125C	32015 75/115/25	32206 30/62/21.25	30305 25/62/18.25	30204 20/47/15.25	32005 25/47/15	75/95/10	25/47/7	20/47/7
160C	32019 95/145/32	32207 35/72/24.25	32206 30/62/21.25	30305 25/62/18.25	30206 30/62/17.25	95/125/12	30/52/7	25/52/7
180C	32024 120/180/38	31309 45/100/27.25	32206 30/62/21.25	30305 25/62/18.25	30206 30/62/17.25	120/160/15	30/52/7	25/52/7
200C	32026 130/200/45	31310 50/110/29.25	30307 35/80/22.75	32206 30/62/21.25	32008 40/68/19	130/160/12	40/56/8	30/56/10

*Solo per Z180C / Only for Z180C / Nur für Z180C

**Solo per Z80C, 08.01 sostituisce 06.02+06.03; 07.03 sostituisce 07.02+06.03

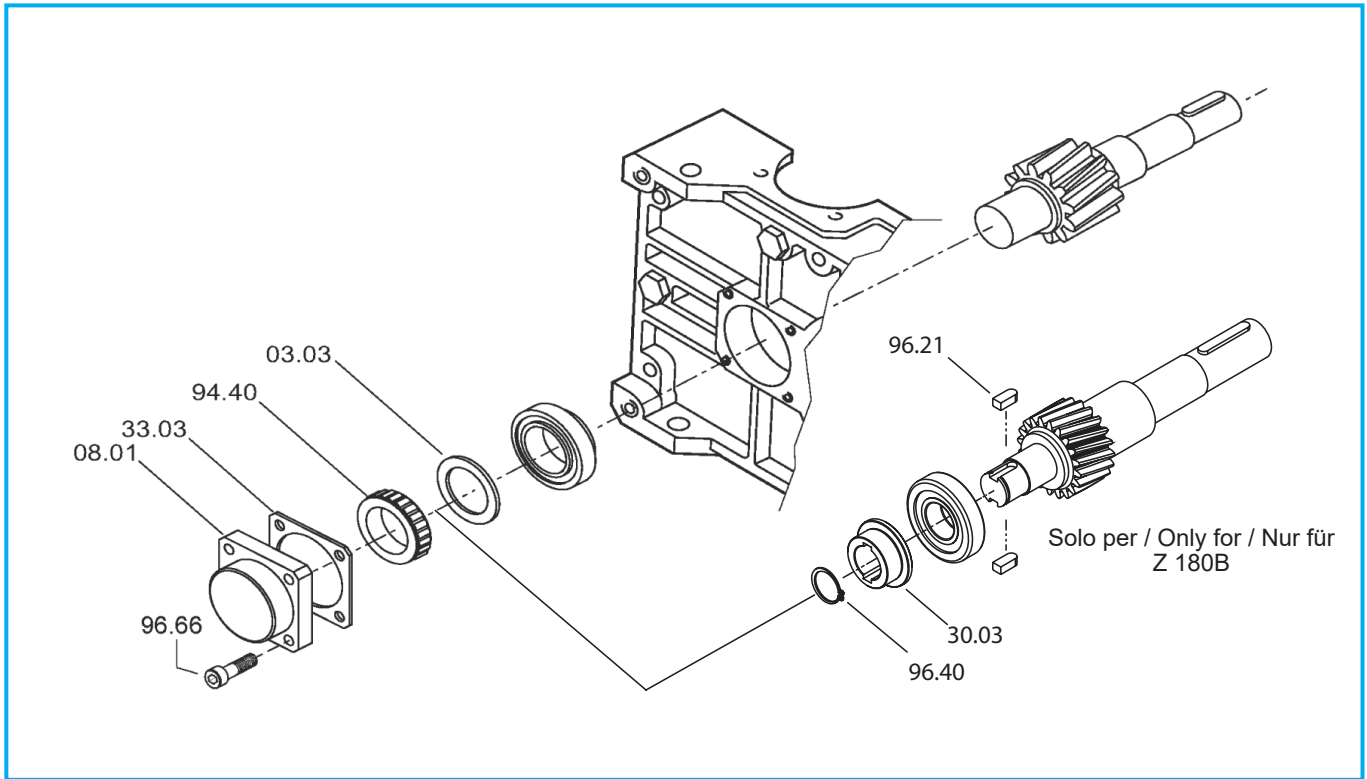
Only for Z80C 08.01 replace 06.02+06.03; 07.03 replace 07.02+06.03

Nur für Z80C 08.01 ersetzt 06.02+06.03; 07.03 ersetzt 07.02+06.03



ZA..B - ZF..B - ZA..C - ZF..C

Dispositivo antiritorno - Backstop device - Rücklauf Sperre



Z...B	Ruota libera / Free wheel / Freilaufgrad 94.40
80	FE 423 Z
100	FE 428 Z
125	BF 50 Z 16
160	BF 70 Z 21
180	FE 8049 Z 19
200	FE 8040 Z 19

Z...C	Ruota libera / Free wheel / Freilaufgrad 94.40
80	FE 423 Z2
100	FE 423 Z
125	FE 428 Z
160	BF 50 Z 16
180	BF 50 Z 16
200	BF 70 Z 21