

GENERAL CATALOGUE BRAKES

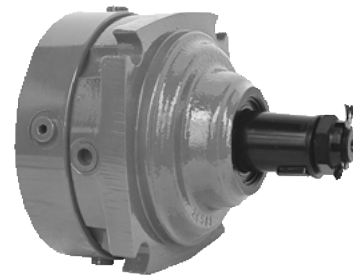


TECHNICAL CHARACTERISTICS

CODE		2/7	2/14	2/21	2/32	2/43
Static torque	■ daNm	6 ÷ 8	13 ÷ 15	20 ÷ 22	31 ÷ 34	41 ÷ 45
Min. opening pressure	bar	4 ÷ 5	8 ÷ 9	11 ÷ 13	16 ÷ 19	22 ÷ 25
Max. opening pressure	bar	300				
Minimum oil capacity for brake opening	cm ³	3 ÷ 4				

■ The static torque is considered with the internal of the brake at 0 bar.

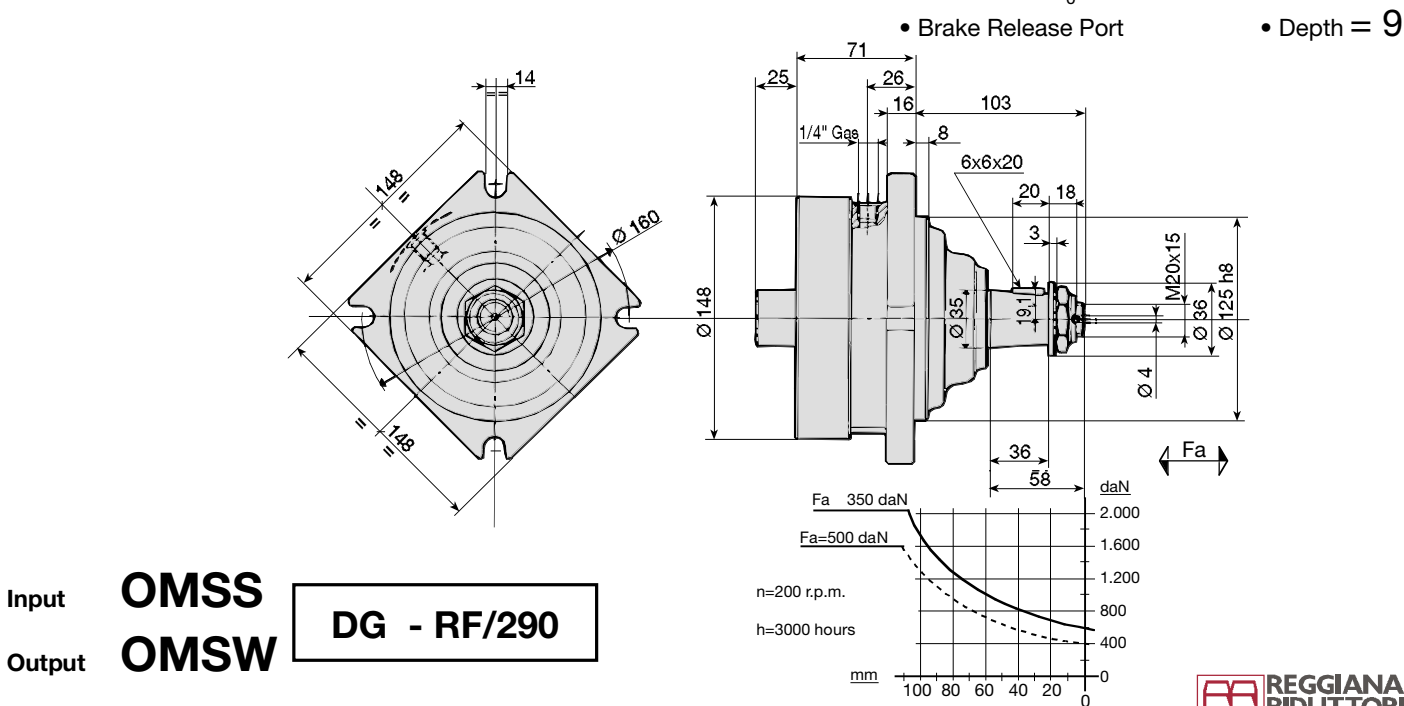
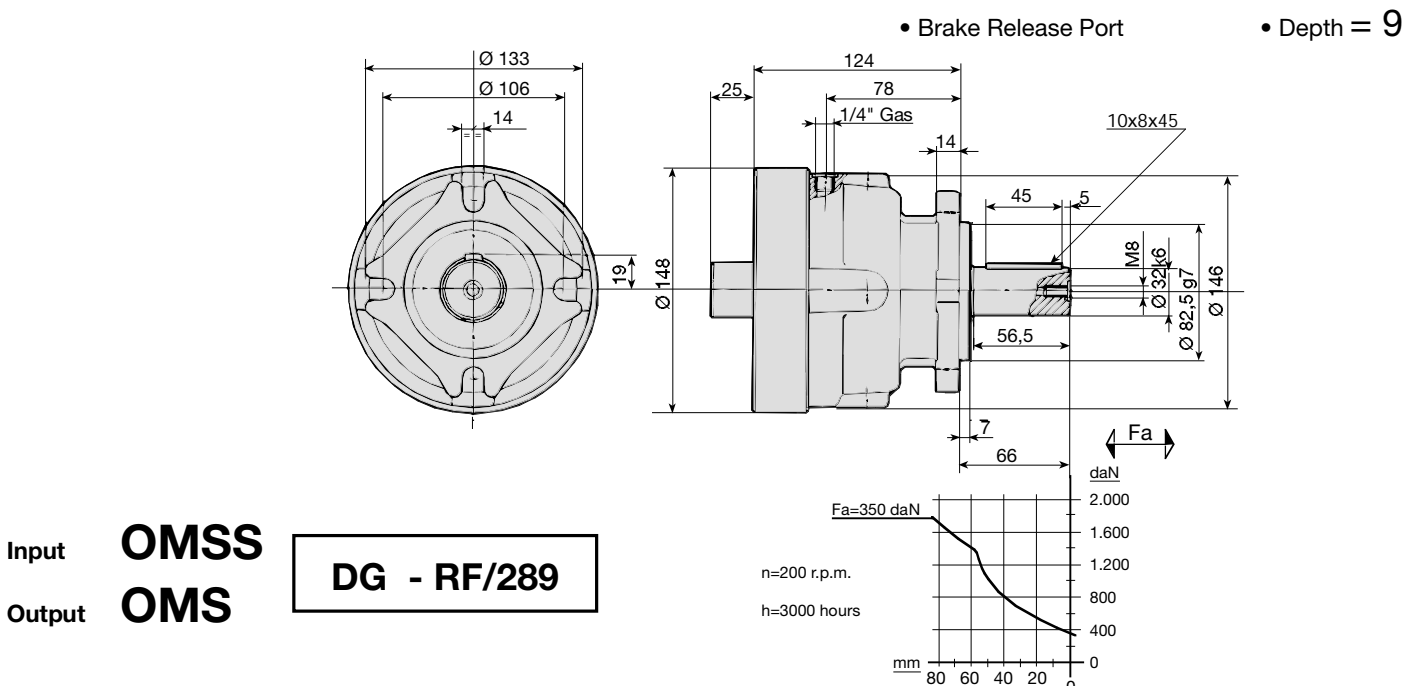
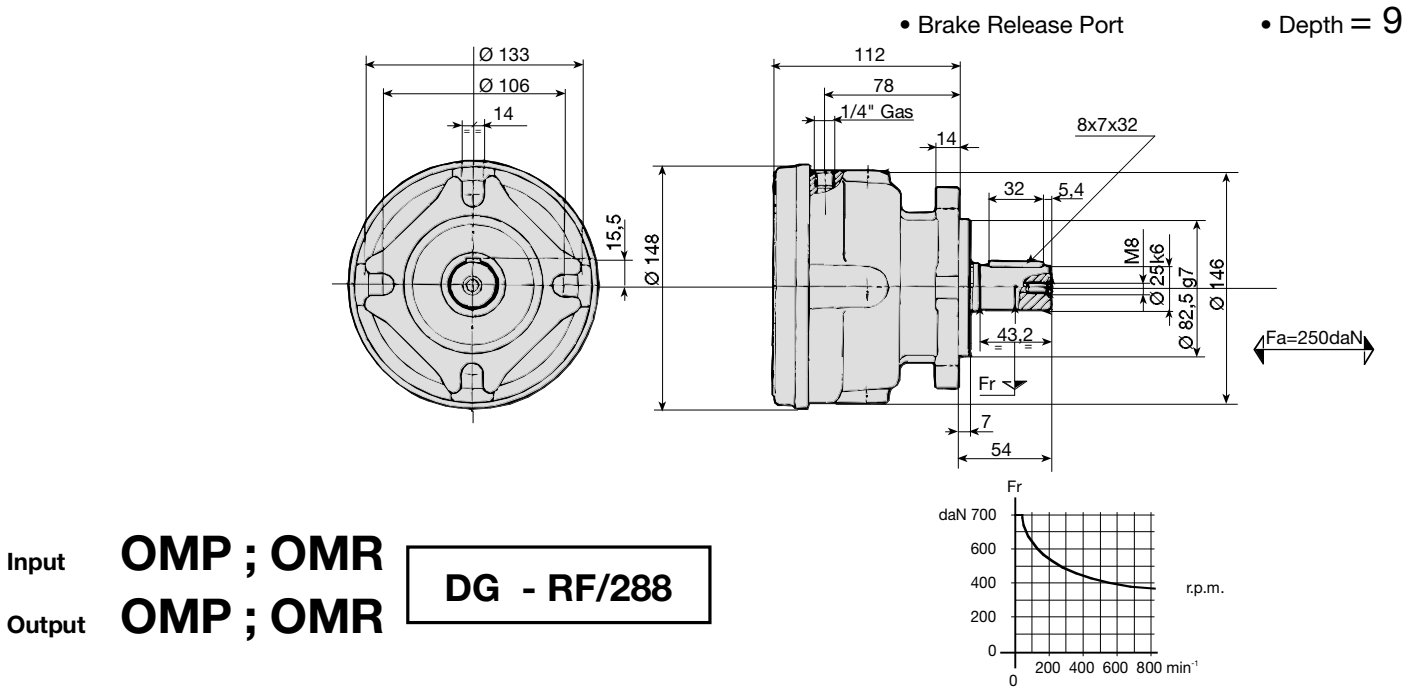
TYPE	OIL QUANTITY		Mass daN
	Horizontal	Vertical	
DG - RF/288	0,050	0,100	11
DG - RF/289	0,075	0,150	12
DG - RF/290	0,075	0,150	12
VISCOSITY	ISO VG 32 2,8 ÷ 3,2°E 50°C		



MAINTENANCE

We advise to effect the first change of oil after the first 50-60 working hours and afterwards every 500-1500 hours, according to work conditions of the brake.

During oil change, it is necessary to clean magnetic plugs.

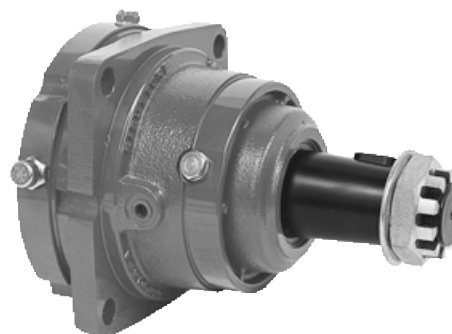


TECHNICAL CHARACTERISTICS

CODE		5/21	5/29	5/43	5/65	5/85	5/110	5/130
Static torque	■ daNm	18 ÷ 23	28 ÷ 33	42 ÷ 46	61 ÷ 70	83 ÷ 92	108 ÷ 118	126 ÷ 136
Min. opening pressure	bar	4 ÷ 5	6 ÷ 7	9 ÷ 10	13 ÷ 15	18 ÷ 20	23 ÷ 25	27 ÷ 31
Max. opening pressure	bar	300						
Minimum oil capacity for brake opening	cm ³	13 ÷ 15						

■ The static torque is considered with the internal of the brake at 0 bar.

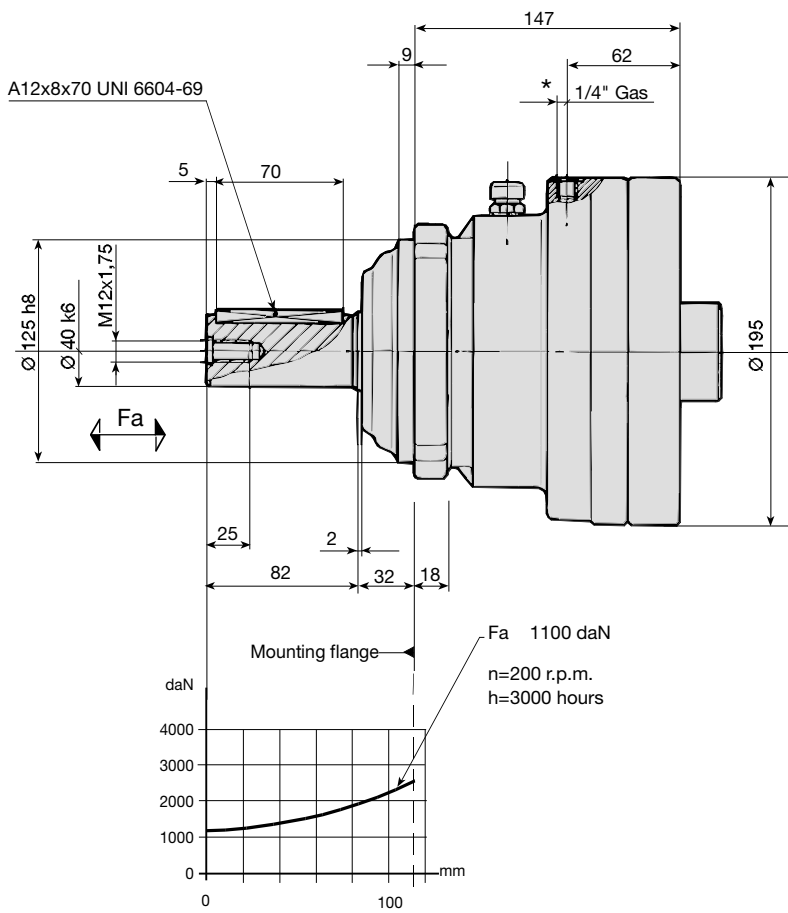
TYPE	OIL QUANTITY		Mass daN
	Horizontal	Vertical	
DG - RF/313	0,25	0,35	26
DG - RF/314	0,20	0,30	24
DG - RF/315	0,20	0,30	25
DG - RF/316	0,25	0,35	29
VISCOSITY	ISO VG 32 2,8 ÷ 3,2°E 50°C		



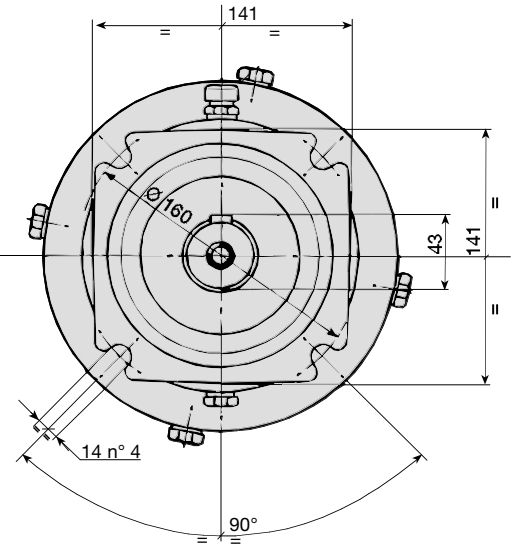
MAINTENANCE

We advise to effect the first change of oil after the first 50-60 working hours and afterwards every 500-1500 hours, according to work conditions of the brake.

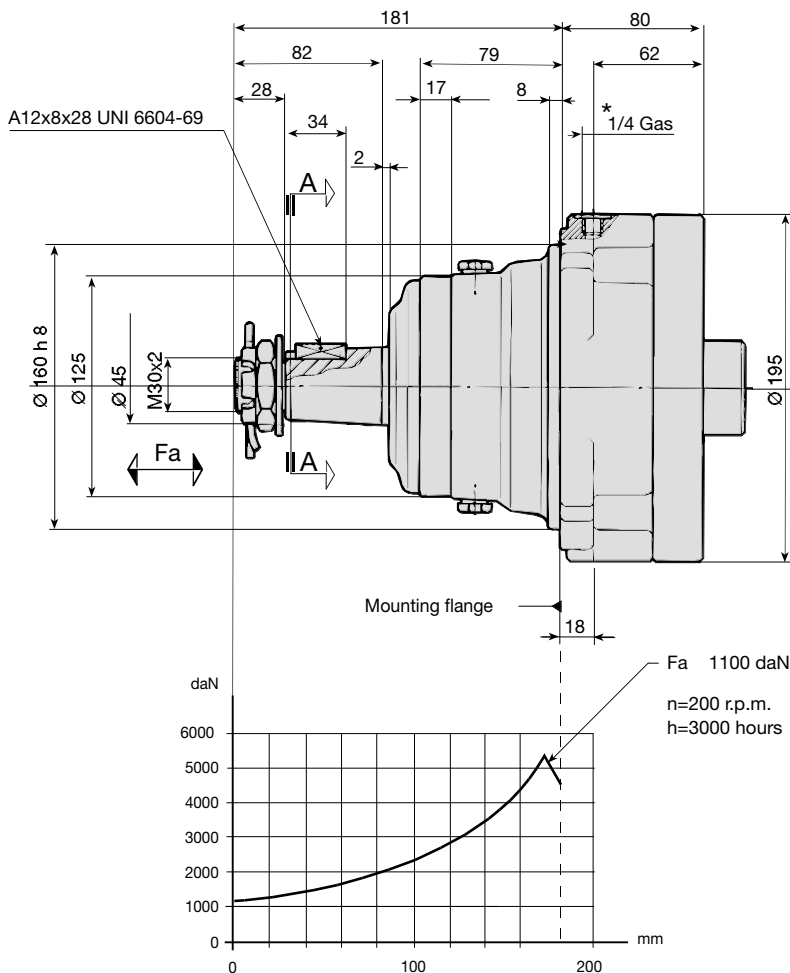
During oil change, it is necessary to clean magnetic plugs.



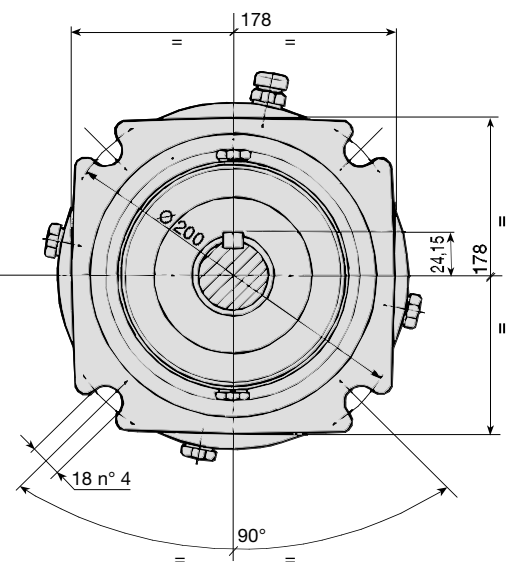
* • Brake Release Port • Depth = 9



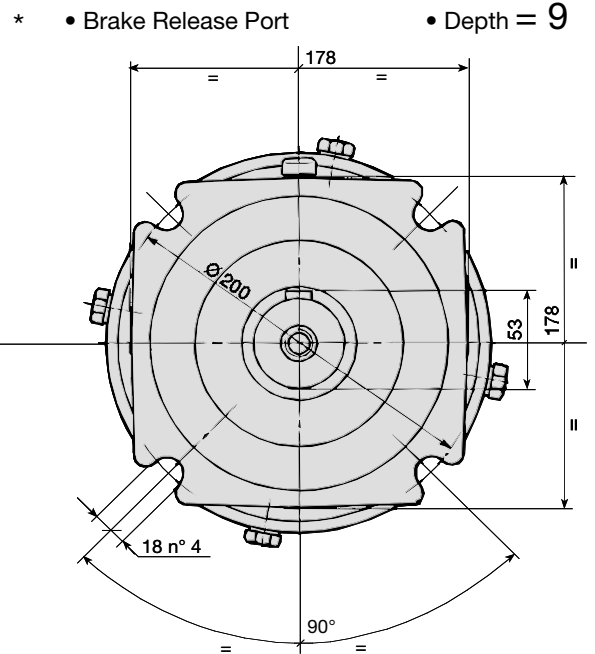
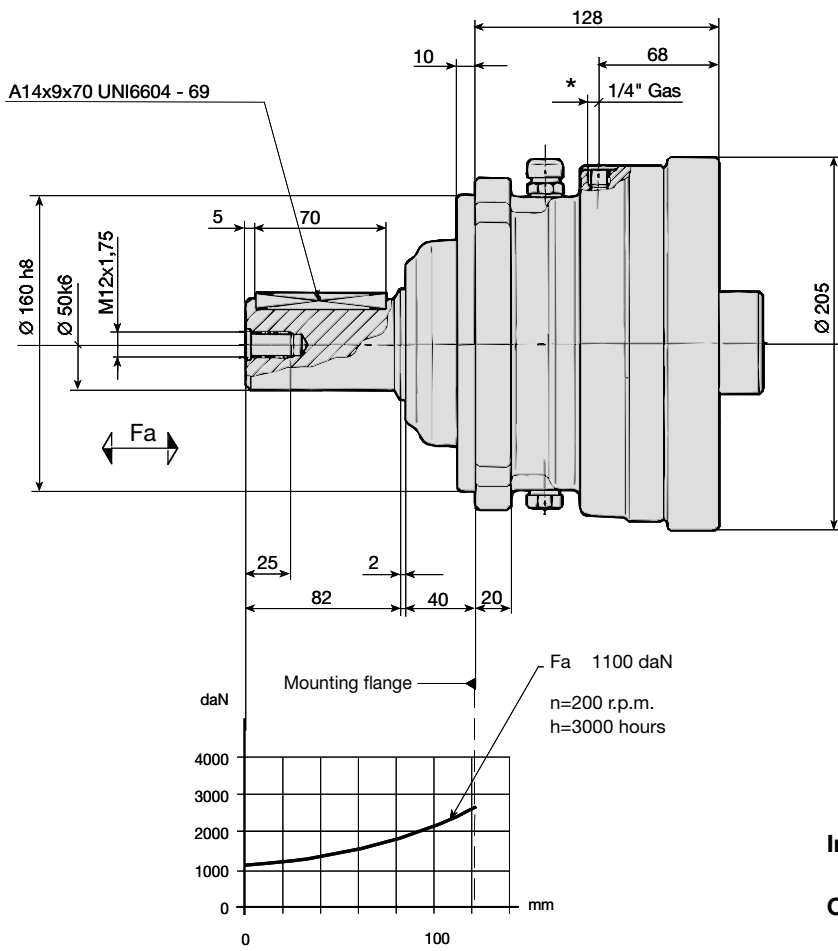
Input **OMTS**
Output **OMT** **DG - RF/314**



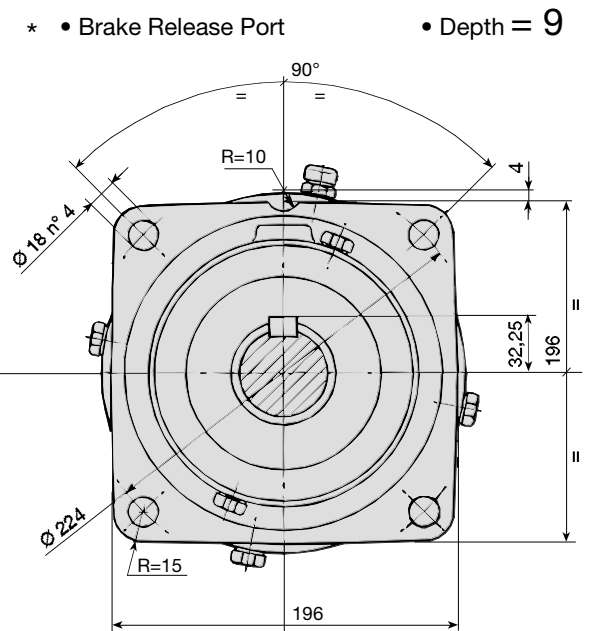
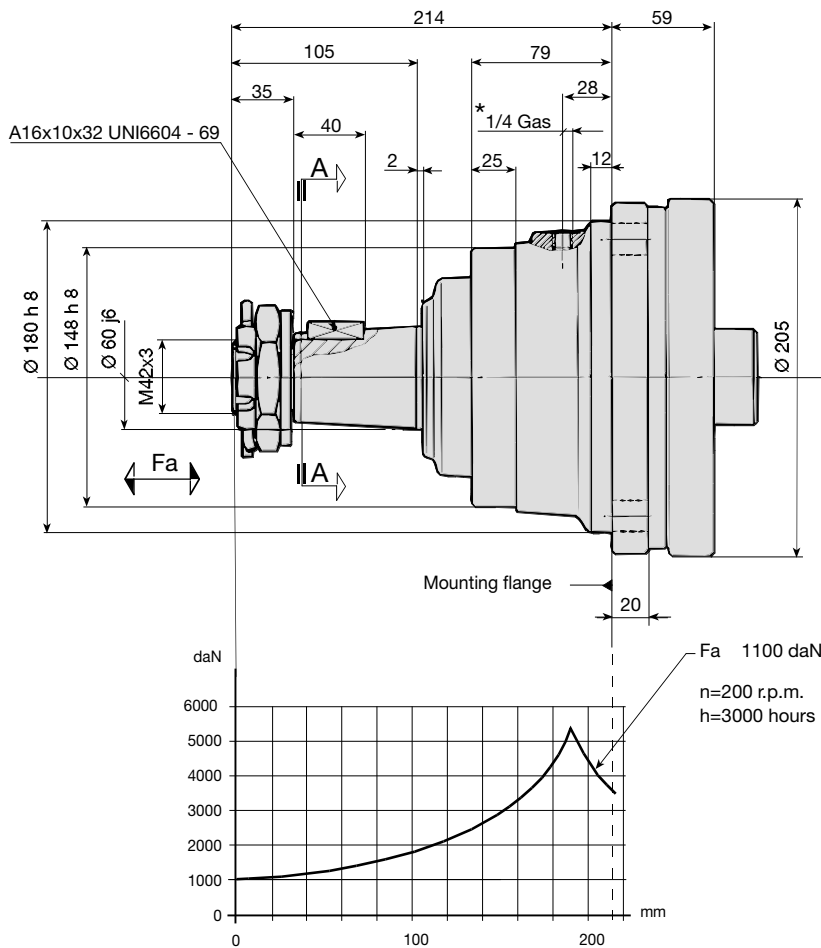
* • Brake Release Port • Depth = 9



Input **OMTS**
Output **OMTW** **DG - RF/315**

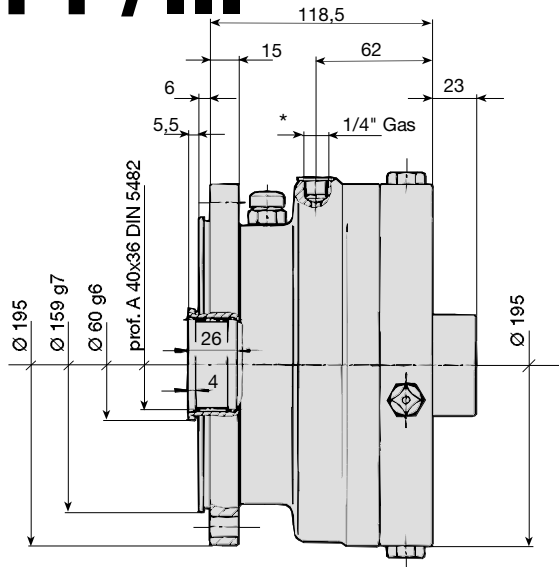


Input **OMVS**
Output **OMV** DG - RF/313



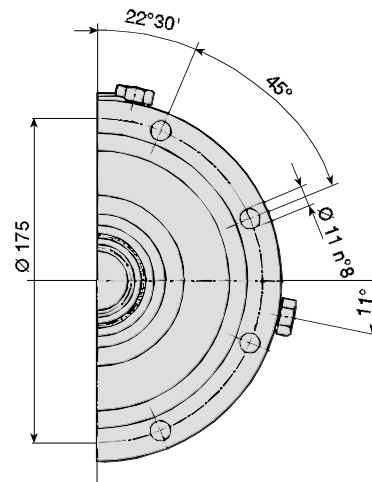
Input **OMVS**
Output **OMVW** DG - RF/316

Series RFF/...



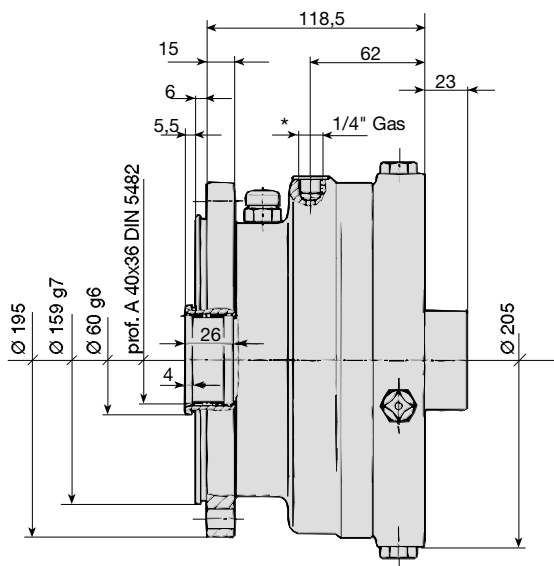
* • Brake Release Port

• Depth = 9



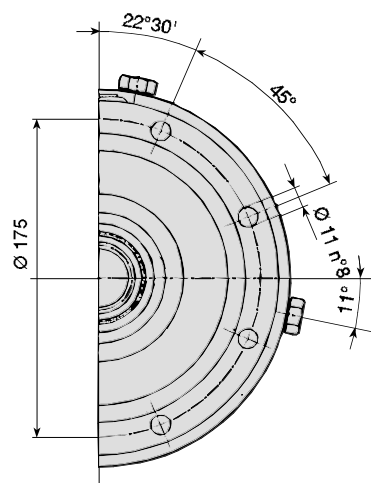
Input **OMTS** **DG - RFF/392**

TYPE	OIL QUANTITY		Mass daN
	Horizontal	Vertical	
DG - RFF/392	0,25	0,50	21
DG - RFF/396	0,30	0,60	22
VISCOSITY	ISO VG 32 2,8 ÷ 3,2°E 50°C		



* • Brake Release Port

• Depth = 9



Input **OMVS** **DG - RFF/396**

The technical information contained in this catalogue is approximate for the choice of the brake gear which must be made by the systems engineer for the foreseen application. The Reggiana Riduttori technical service is available for the checks that become necessary. In order to improve the product Reggiana Riduttori reserves the right to make both the technical and dimensional modifications that will be considered suitable without having to give prior notice there of. The copy of this catalogue, even partial, is forbidden unless expressly authorized in writing by Reggiana Riduttori s.r.l.

